

5 OUTBOARD
YEARS
warranty

FOR LEISURE USE ONLY
Selva's 50 terms and conditions
see your Dealer for more
information



 Selva Marine

INFLATABLE BOATS WITH OUTBOARD MOTOR

Living
Line

Living
Plus Line

Living
Plus Line
Ultra

Living Line Living Plus Line

Living Plus Line Ultra

Selva Marine engines come with a five-year limited warranty. Certain conditions and exclusions apply including professional and commercial use.

5 OUTBOARD YEARS warranty

FOR LEISURE USE ONLY
Subject to terms and conditions
in your Dealer for more
information



A boat built on a dedicated design by the shipyard and with its own equipment, it consists of 2 models of 5.7 m. and 6 m which aim to present an innovative vision of the spaces on board. The careful engineering study has made it possible to integrate living spaces at bow and stern in a V shape (only on the 21LV model) and a U shape, convertible into sundecks, into the limited hull dimensions. This arrangement can be normally found on much larger boats.

The console and seat and backrest unit have modern and extremely functional lines. The Plus version is characterised by a three-colour tubular version, refined cushions and optional accessories included; the 'Plus Ultra' version is an evolution from the 'plus' version and includes all fibreglass in a grey colour, tubes and cushions in a specific fabric/colour combination and a Sea Deck floor covering as a standard feature. Offered as a package with **Selva Marine** engines, it is the ideal boat to pair with our XSR range.



21 Lv Plus Ultra

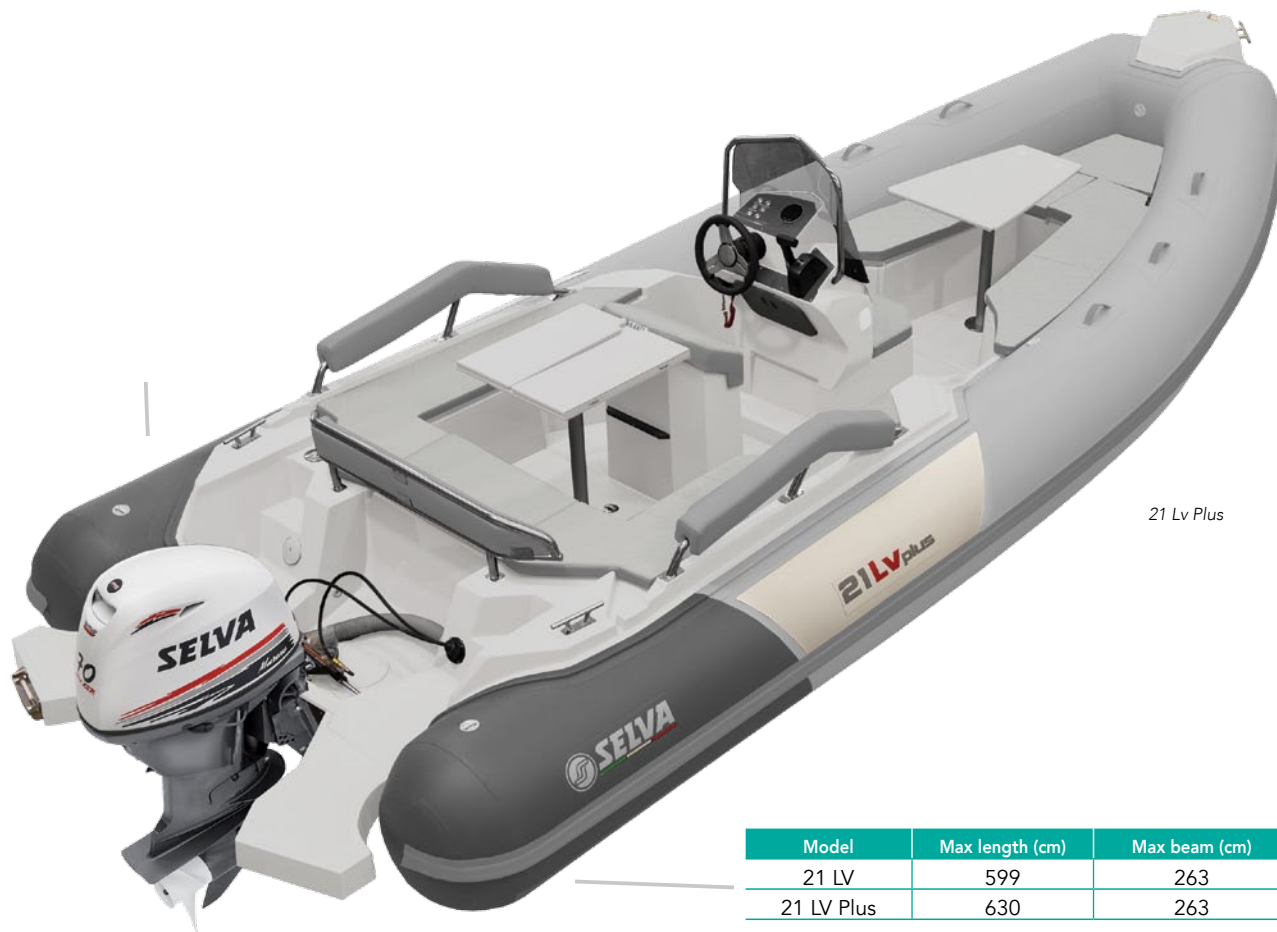
Model	Max length (cm)	Max beam (cm)	Dry weight (kg)	People carrying capacity
21 LV Plus Ultra	630	263	580	14 cat. D - 10 cat C

21 LV Plus Ultra



CONSTRUCTION DETAILS

MODEL
21 LV PLUS



21 Lv Plus

Model	Max length (cm)	Max beam (cm)	Dry weight (kg)	People carrying capacity
21 LV	599	263	570	14 cat. D - 10 cat. C
21 LV Plus	630	263	580	14 cat. D - 10 cat. C

21 LV Plus



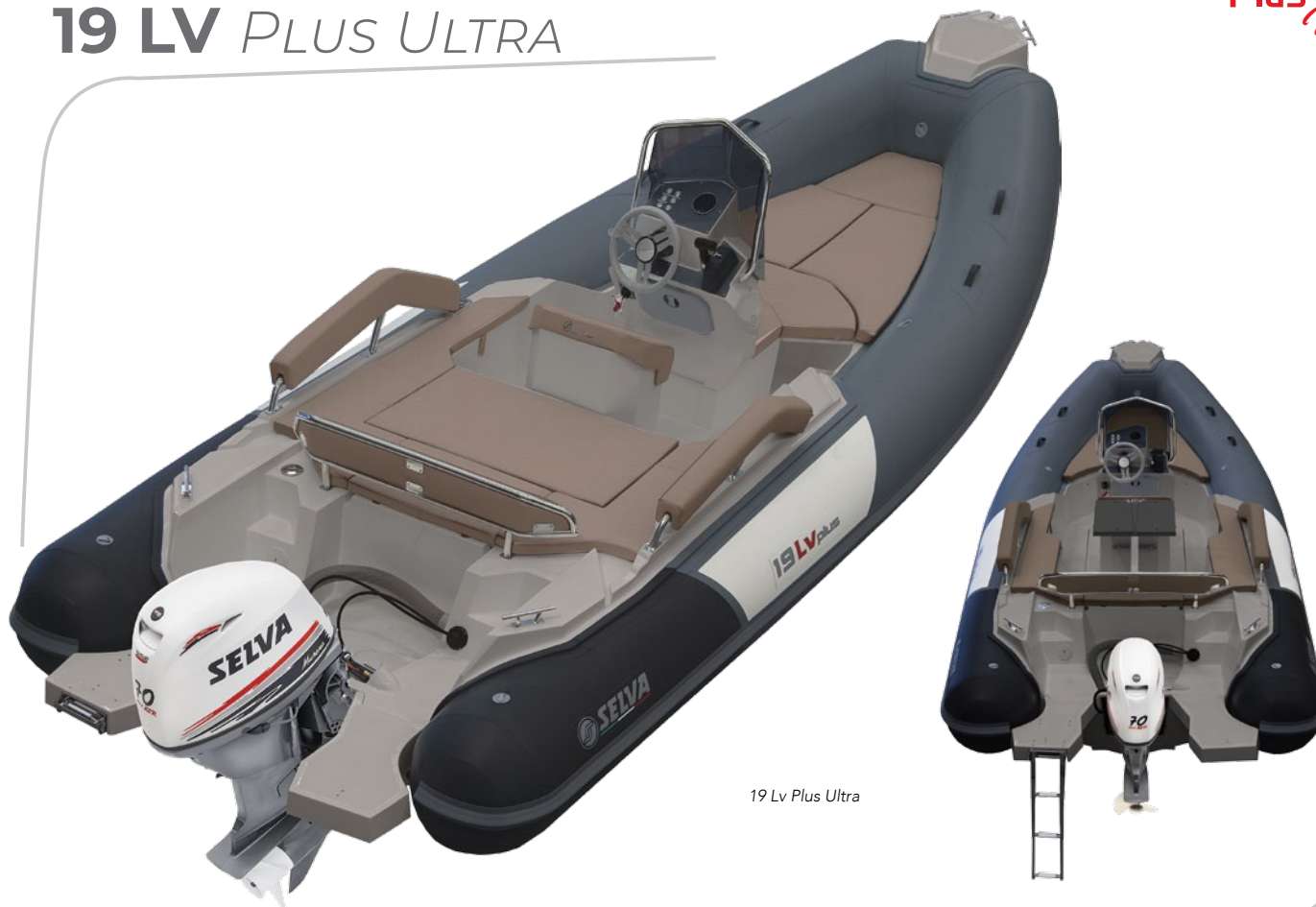
CONSTRUCTION DETAILS



CONSTRUCTION DETAILS

MODEL
19 LV PLUS ULTRA

Living
Plus Line
Ultra



19 Lv Plus Ultra

Model	Max length (cm)	Max beam (cm)	Dry weight (kg)	People carrying capacity
19 LV Plus <i>Ultra</i>	600	250	530	12 cat. D - 9 cat. C

Living
Plus Line

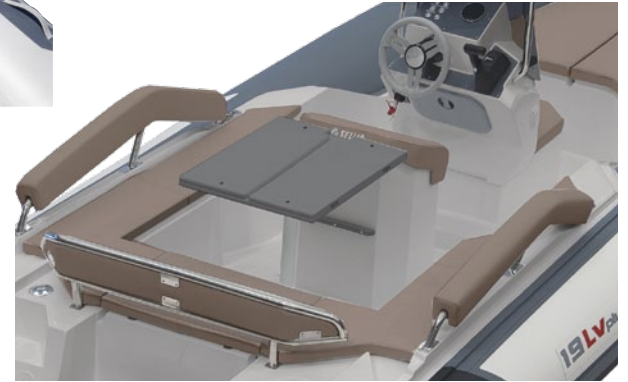
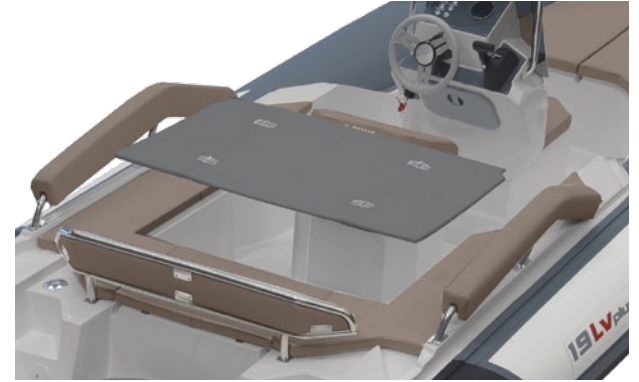
Living
Line

MODEL
19 LV *PLUS*



Model	Max length (cm)	Max beam (cm)	Dry weight (kg)	People carrying capacity
19 LV	570	250	520	12 cat. D - 9 cat. C
19 LV Plus	600	250	530	12 cat. D - 9 cat. C

19 LV



CONSTRUCTION DETAILS

Model	21 LV	21 LV PLUS	21 LV PLUS ULTRA	19 LV	19 LV PLUS	19 LV PLUS ULTRA
Max length (cm)	599	630		570	600	
Internal length (cm)	550		520			
Max width (cm)	263		250			
Internal width (cm)	143		130			
Construction height (cm)	88		93			
Tube diameter (cm)	50÷60		50÷60			
Motor shaft version	1 L		1 L			
Number of compartments	5		5			
Number of lockers	7		6			
Dry weight ex motor, fittings, liquids (kg)	570	580		520	530	
People carrying capacity	14 cat. D - 10 cat C		12 cat. D - 9 cat C			
Max carrying load (kg) (people, standard equipment, engine)	1510 cat. D - 1150 cat. C		1330 cat. D - 1060 cat. C			
Inflation pressure (atm)	0,2		0,2			
Max applicable power (kW/hp)	111 (150)		100 (136)			
Recommended power (min/max hp)	80 / 115		70 / 115			
Hull type	Deep-V with rest skids					
Hull material	GRP = double moulded					
Internal hull colour	White	Grey	White	Grey	White	Grey
External hull colour	White	Grey	White	Grey	White	Grey
Fabric	NEOPRENE - HYPALON, 1300 g/sqm					
Standard design category	D and C					

Model	21 LV	21 LV PLUS	21 LV PLUS ULTRA	19 LV	19 LV PLUS	19 LV PLUS ULTRA
Three-colour tubulars	N	S	N	N	S	N
Three-colour tubulars "ULTRA" version	N	N	S	N	N	S
Grey colour GRP	N	N	S	N	N	S
Handrail in fabric on tubes	S	S	S	S	S	S
Paddle	S	S	S	S	S	S
Inflating pump	S	S	S	S	S	S
Motor installation	S	S	S	S	S	S
Complete electrical system	S	S	S	S	S	S
Complete console ⁽¹⁾	S	S	S	S	S	S
Steering wheel in "special" style Plus	N	S	S	N	S	S
Seat for semi-erect driving with cushion	S	S	S	S	S	S
Waterproof locker into the driving seat	S	S	S	S	S	S
Engine instrumentation	S	S	S	S	S	S
Instrument panel	S	S	S	S	S	S
Metal switch holder panel with concealed switches	S	S	S	S	S	S
U-shaped stern sofa convertible into sundeck, with central table	S	S	S	S	S	S
V-shaped bow lounge convertible into a sundeck	S	S	S	N	N	N
Bow sundeck cushions	S	S	S	S	S	S
Bow extension	S	S	S	S	S	S
Cushion for bow sundeck extension	S	S	S	S	S	S
Bow Table / Central sunbathing extension of with cushions	S	S	S	N	N	N
Cushions in Plus double colour	N	S	N	N	S	N
Special "ULTRA" version cushions	N	N	S	N	N	S
Sea Deck complete floor coverage kit	O	O	S	O	O	S
Foldable stainless steel ladder	O	N	N	O	N	N
Stern platforms in GRP with concealed stainless steel ladder	O	S	S	O	S	S
Auxiliary motor support	O	O	O	O	O	O
Sun awning	O	O	O	O	O	O
"Twin-tube" stainless steel, telescopic, tilt-up rollbar with start lights and horn	O	O	O	O	O	O
Mooring cover	O	O	O	O	O	O
Built-in fuel tank installed in compliance with CE regulations with blower, delivery pipe with water/fuel separating filters and valve, filling pipe, breather pipe and fuel level gauge	S - 130 lt.	S - 130 lt.	S - 130 lt.	O - 86 lt.	S - 86 lt.	S - 86 lt.
Built in fibreglass fresh water tank with fitting for shower	O - 30 lt.	S - 30 lt.	S - 30 lt.	O - 30 lt.	S - 30 lt.	S - 30 lt.
Immersion bilge pump	S	S	S	S	S	S
Hydraulic steering system	S	S	S	O	O	O

S = Standard O = Optional N = Not available

For information on engines in packages with **LIVING LINE** boats please see the **Selva Marine** outboard engine catalogue. The data in this table are to be considered as approximate and **Selva Marine** reserves the right to modify the technical characteristics, materials, construction, weights, colours, graphics etc. without any forewarning or obligation. The specifications given in this table are determined in accordance with regulations in force at the time of preparation of the catalogue and may have to be modified. Please request confirmation of the data at time of purchase.

⁽¹⁾ Complete console with: stainless steel handrail, single-lever remote control box with binnacle, anatomical steering, single-cable steering (Hydraulic Steering for 21LV) antiglare windscreen, seat front with cushion and access to the locker below and back cushion



SELVA S.p.A.

Head office and main factory:

Viale dell'Industria, 13

23037 Tirano (SO) - Italia

Tel. 0342 702451 - Fax 0342 70536

VAT Number IT 00050830140

Company Registration SO n. 00050830140 - REA n. 18382

www.selvamarine.com



Q8  **Oils**